

Maestro

Portable speaker for iPhone & iPod

Quick Start Guide



Cygnett. 

Warranty

Cygnett 12 Month Manufacturers Warranty

Register online at www.cygnett.com to activate your warranty and receive a bonus 12 months.

For product support, check the latest instructions & updates in the Support Section of our website: www.cygnett.com or email us at info@cygnett.com



We're here to help!

Please get in touch with our Cygnett support team in Australia +61 (3) 9429 2552 or we're just an email away help@cygnett.com

| | | |
|--|---|-----|
| Safety Precautions & Maintenance | 2 | |
| Getting Started | 3 | |
| Overview | 4 | |
| Operation | 5 | - 7 |
| Technical Specifications | 8 | |
| Troubleshooting | 8 | - 9 |

Safety Precautions & Maintenance

2



Please read these operating and maintenance (servicing) instructions before installing and operating your speakers.

WARNING: To reduce the risk of fire or electric shock, do not expose this speaker system to rain or moisture (including swimming pools or objects filled with liquids, such as vases or drinks).

Important Safety Instructions

1. Always read all Safety and Operation instructions before use. Retain instructions for later reference.
2. For indoor use only. Do not expose the speaker to liquid, moisture or humidity.
3. Do not use abrasive cleaners to clean the speaker case as they may damage the finish. Always unplug the unit before cleaning.
4. Do not expose the speaker to extremely high or low temperatures.
5. Keep the unit away from direct sunlight.
6. Use only accessories and attachments as supplied and as designated in the instruction manual.
7. Do not attempt to open or modify the speaker in any way, as it does not contain any user serviceable parts. Please refer all servicing to qualified personnel.
8. Please store the unit in a dry place that is free from extreme temperatures and dust.
9. Always operate the speaker on a flat and level surface for operation.
10. Always operate the speaker unit away from children and animals who may play with the power cords and other small parts.
11. Always thoughtfully dispose of the packaging and the unit in accordance with the local regulations and in a responsible manner.

Thankyou for purchasing a Cygnett product. Please take the time to read the instruction manual prior to operating your Cygnett device.

The Cygnett Maestro is a Speaker unit featuring iPod dock, auxiliary input and designed for use with iPod and iPhone.

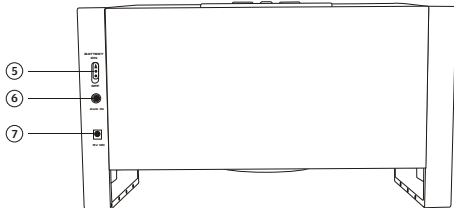
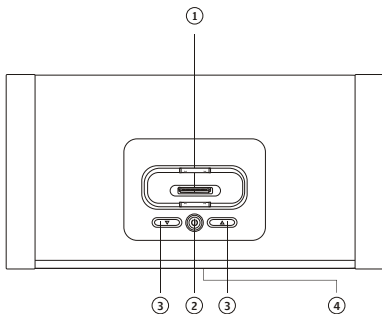
This device can be used as an iPod dock for charging and listening to audio or as a speaker for a non iPod audio device such as an MP3 compatible phone, CD Player or PC. Battery backup allows music portability wherever you go.

The Cygnett Maestro is compatible with, and will charge most models of iPod including the latest iPod nano, iPod Touch, and iPhone 3GS. Just plug your iPod in and press play.

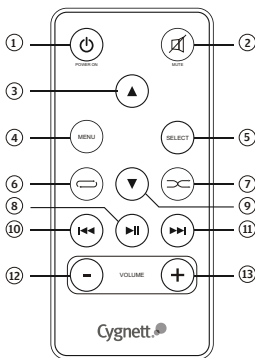
Please read all operational and safety instructions thoroughly before commencing operation of the unit. Please follow all instructions carefully.

Note: Please retain these instructions for later reference.

1. iPod Dock
2. Power button
3. Volume +/- buttons
4. Infrared receiver
5. Battery/power input selector
6. Auxiliary input
7. DC Power Jack



1. Power button
2. Mute
3. Scroll up
4. Menu
5. Select
6. Repeat
7. Shuffle
8. Play/Pause
9. Scroll down
10. Skip (prev track/rewind)
11. Skip (next track/fast forward)
12. Vol - (volume down)
13. Vol + (volume up)



To setup your Maestro iPod Speaker System, please follow these simple steps:

- 1) Carefully unpack speaker, remote control, iPod inserts and power supply.
- 2) Carefully unwind power supply cable and connect to the socket on the rear of the speaker unit. Connect the power supply plugpack to a suitable mains outlet.
- 3) Place unit on a stable, flat, level surface out of direct sunlight. Always avoid leaving the unit in direct sunlight as this may cause damage.
- 4) To turn your Speaker unit on, simply depress the power button on the rear top of unit. The power button should glow.

Remote Control

To use your remote control please follow these instructions:

1. Unpack remote control and remove any protective covering.
2. Open battery compartment and install battery (supplied), please ensure polarity is correct as shown on the inside lid of battery compartment. Battery is 3V CR2025 button cell type. The Remote Control can be used to directly control the functions of the Maestro Speaker unit. In addition, the remote can be used to control most general functions on most iPods.

iPod Docking

To dock, charge and play your iPod, please follow the following instructions:

1. Remove iPod dock cover, by inserting fingernail or flat bladed implement into slot on rear edge of cover and lifting upwards.
2. Select correct iPod insert to match your iPod and place insert in dock.
3. Fit iPod carefully into dock, docking connector should easily mate with socket on your iPod. Please note: Do not force iPod, but carefully slide over dock connector as force may damage your iPod.
4. Turn unit on, iPod should indicate that power is now connected.
5. Select desired song using either the remote control or the buttons located on your iPod.
6. To play press the play button on your iPod or on the remote.
7. Volume can be adjusted by using the volume control buttons on the top of the unit, the volume controls on the remote, or the volume on your iPod

Battery Operation

The Cygnett Maestro will operate from a battery source for up to 4 - 5 hours when operated from Alkaline batteries (not supplied). Performance and sound quality may vary depending upon quality and age of batteries. Cygnett recommends Alkaline batteries for best performance. Do not mix battery types or old batteries with new. Do not leave batteries in unit for an extended period of time.

Other Device

To listen to an audio device via the Auxiliary Input, please follow these instructions:

1. Connect a source such as a third party MP3 Player, PC, CD Player or other audio source via the 3.5mm Auxiliary Input socket located on the rear of the speaker
 2. Turn the unit on and use the +/- volume buttons to select the required volume
- NOTE: Connecting a plug into the 3.5mm "Aux" socket on the rear of the unit will bypass any audio from an iPod/iPhone docked on the top of the unit. iPod/iPhone will continue to charge.

| | | |
|------------------------|---|--|
| Output Power | : | 8W (2W / Satellites x 2 + 4W / Woofer) |
| Power Supply | : | 110 - 240V AC 50/60Hz |
| Speaker Size | : | 1.5" (40mm) |
| Auxiliary Input | : | 3.5mm stereo phono plug |
| Remote control battery | : | CR2025, 3V button cell battery |
| Speaker battery | : | 4 x 1.5V AA (Alkaline recommended) |

Troubleshooting

If you are experiencing problems with the Maestro speaker system, please try the following:

1. Check the connection of the power cable to ensure that it is securely plugged into the speaker and the AC wall outlet and that unit is turned on. Check that batteries are inserted and have available charge.
2. Check that the volume is turned up on the main unit and on your iPod.
3. Check that nothing is connected to the 3.5mm "Aux" socket
4. Check that a compatible iPod is correctly inserted into the dock.
5. Check that the remote control is functioning correctly.

| Problem | Cause | Resolution |
|---|---|--|
| No power | <ul style="list-style-type: none">• Power is not connected• Batteries are flat• Faulty plug pack power supply | <ul style="list-style-type: none">• Connect power & recheck• Connect power or replace batteries• Contact Cygnett for a replacement |
| No Audio | <ul style="list-style-type: none">• Cable connected to the 3.5mm "Aux" socket• Unit not turned on | <ul style="list-style-type: none">• Unplug cable• Turn unit on and recheck |
| Remote control does not control my iPod | <ul style="list-style-type: none">• Flat battery in remote• iPod touch or iPhone not unlocked | <ul style="list-style-type: none">• Replace battery with similar type (CR2025)• Please physically unlock the iPod touch or iPhone using the slider shown on the screen when you insert unit into the dock |

Please email Cygnett directly at info@cygnett.com if you are still unable to resolve your problem with our product.

Disposal of waste products

This product complies with the European directive 2002/96/EC for Waste electrical products, as denoted by the Weee symbol on the product and packaging. Please dispose of product in accordance with your local laws and regulations.

Please dispose of all packaging materials thoughtfully.

FCC

This device complies with Part 15 of the FCC rules. Operation is subject to the following two conditions: This device may not cause harmful interference. This device must accept any interference received, including interference that may cause undesired operation. In accordance with the FCC regulations, any modifications or changes made to this unit by the user, without the express permission of Cygnett, may void the users authority to operate this device.

Serial No: 010909



RoHS



Cygnett.